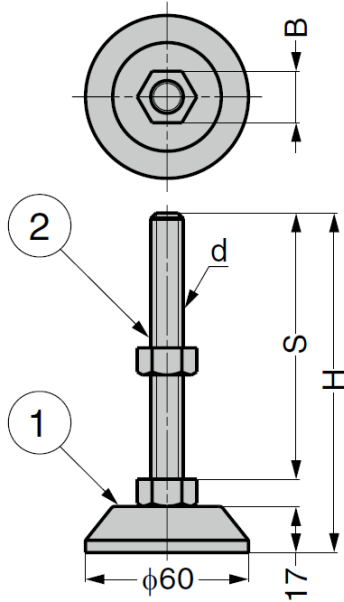


GADC Levelling Glide

Features

- GADC (steel): Cross-recessed bottom allows easy installation



No.	Part Name	Material	Finish
①	Body	Stainless Steel (SUS304)	Polished
②	Threaded Bolt		

GADCS - Stainless Steel

Part No.	H	S	B	d	Load Capacity (per piece)	
GADCS60-12-120	145	120	19	M12	2,940 N	300 kg
GADCS60-16-100	127	100	24	M16	5,488 N	560 kg
GADCS60-16-130	157	130				
GADCS60-16-180	207	180				
GADCS60-20-100	130	100	30	M20	8,624 N	880 kg
GADCS60-20-130	160	130				
GADCS60-20-180	210	180				

No.	Part Name	Material	Finish
①	Body	Steel (SS)	Clear Zinc Chromate (Trivalent)
②	Threaded Bolt	Steel (SWRCH)	

GADC - Steel

Part No.	H	S	B	d	Load Capacity (per piece)	
GADC60-12-120	145	120	19	M12	2,940 N	300 kg
GADC60-16-100	127	100	24	M16	5,488 N	560 kg
GADC60-16-130	157	130				
GADC60-16-180	207	180				
GADC60-20-100	130	100	30	M20	8,624 N	880 kg
GADC60-20-130	160	130				
GADC60-20-150	180	150				
GADC60-20-180	210	180				